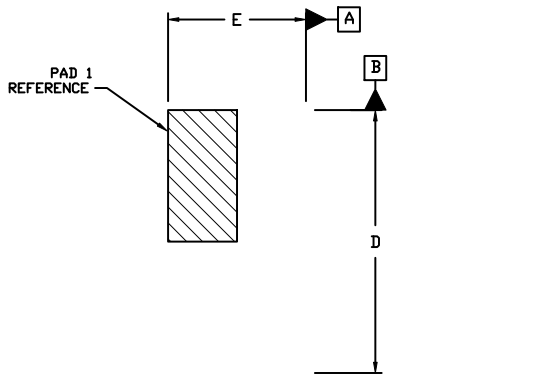
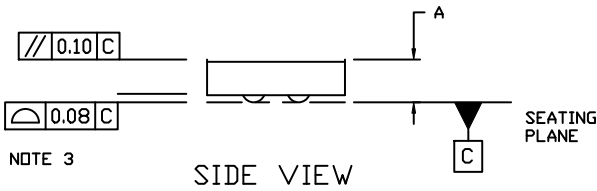


CASE 567YR
ISSUE O

DATE 21 NOV 2019



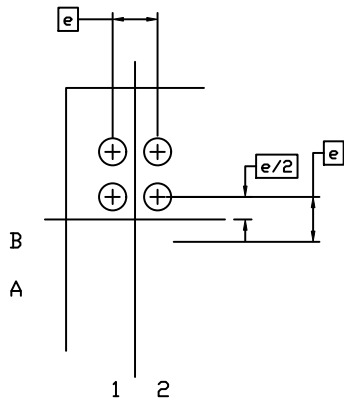
TOP VIEW



SIDE VIEW

NOTE 3

ϕ 0.05 C A B
0.03 C



BOTTOM VIEW

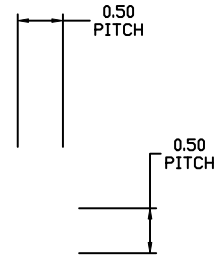
NOTES:

1. DIMENSIONING AND TOLERANCING PER ASME Y14.5M
2. CONTROLLING DIMENSION: MILLIMETERS
3. COPLANARITY APPLIES TO THE SPHERICAL CROWNS OF THE SOLDER BALLS.

| MILLIMETERS | | | |
|-------------|------|------|-------|
| DIM | MIN. | NOM. | MAX. |
| A | | | 0.525 |

| | | | |
|---|------|------|------|
| b | 0.25 | 0.30 | 0.35 |
| D | | 2.92 | |
| E | 1.43 | 1.53 | 1.63 |

0.50mm soldering details, please



download
the ON Semiconductor Soldering and Mounting
Techniques Reference Manual, SOLDERM/D.

*This information is generic. Please refer to device data sheet for actual part marking. Pb-Free indicator, "G" or microdot "μ", may or may not be present. Some products may not follow the Generic Marking.