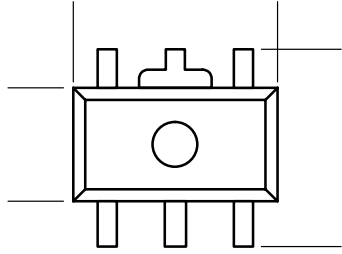


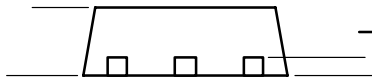


SOT-89, 5 LEAD
CASE 528AB 01
ISSUE O

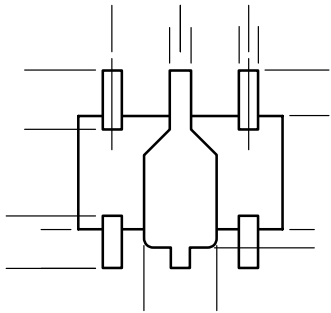
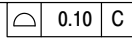
DATE 23 NOV 2009



TOP VIEW



SIDE VIEW



BOTTOM VIEW

**RECOMMENDED
MOUNTING FOOTPRINT***

