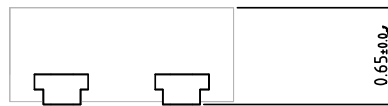
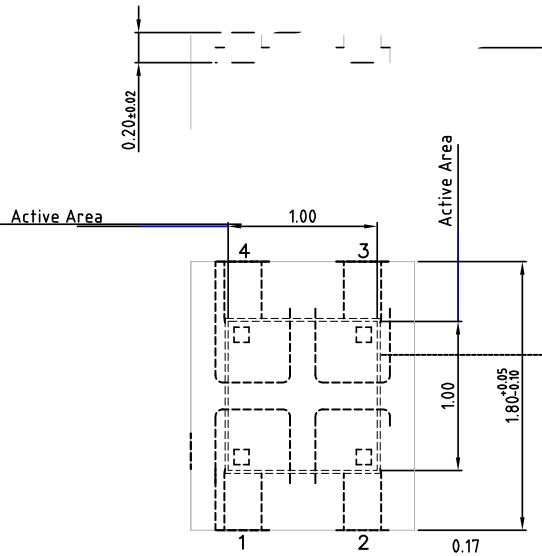




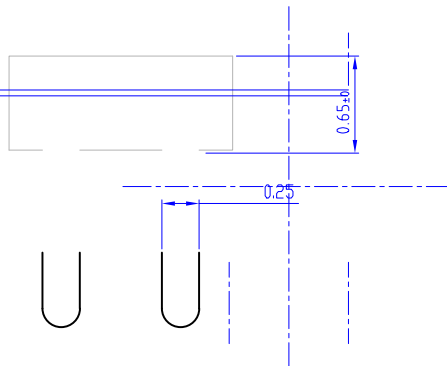
CASE 512AK
ISSUE O

DATE 31 JUL 2018

Pin Assignments	
Pin #	Description
1	Anode
2	Fast Output
3	Cathode
4	No Connect

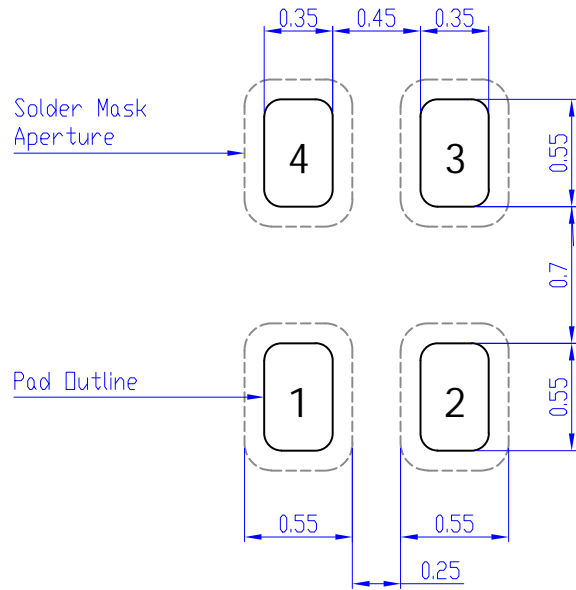


Side View Scale: 40 : 1



CASE 512AK
ISSUE 0

DATE 31 JUL 2018



Recommended PCB Solder Footprint
Scale: 40 : 1

NOTE: No Connect (NC) pin 4 should be soldered to PCB,
this pin can be co