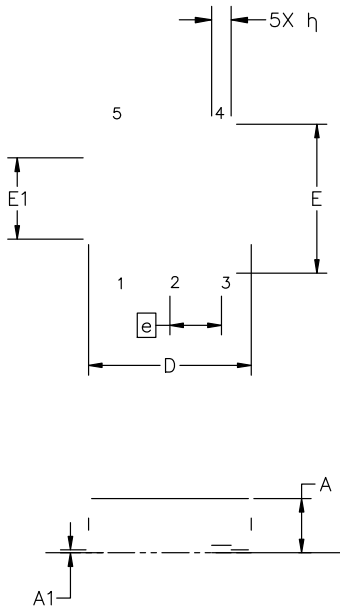
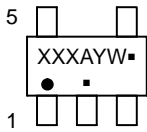


**TSOP-5 3.00x1.50x0.95, 0.95P**  
**CASE 483**  
**ISSUE P**

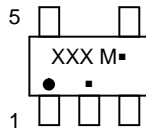
DATE 01 APR 2024



**GENERIC MARKING DIAGRAM\***



**Analog**



**Discrete/Logic**

- |                            |                            |
|----------------------------|----------------------------|
| XXX = Specific Device Code | XXX = Specific Device Code |
| A = Assembly Location      | M = Date Code              |
| Y = Year                   | ▪ = Pb-Free Package        |
| W = Work Week              |                            |
| ▪ = Pb-Free Package        |                            |

(Note: Microdot may be in either location)

\*This information is generic. Please refer to device data sheet for actual part marking. Pb-Free indicator, "G" or microdot "▪", may or may not be present. Some products may not follow the Generic Marking.

OUR Pb-FREE STRATEGY AND SOLDERING DETAILS, PLNN