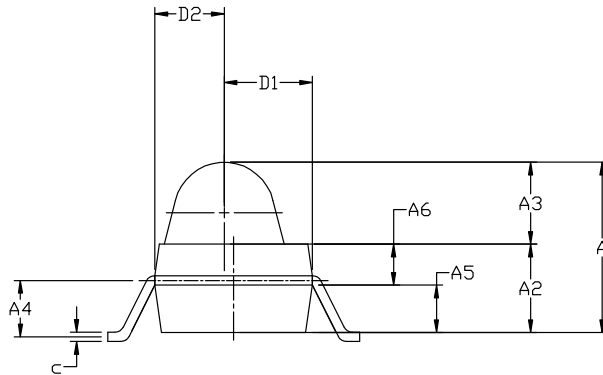
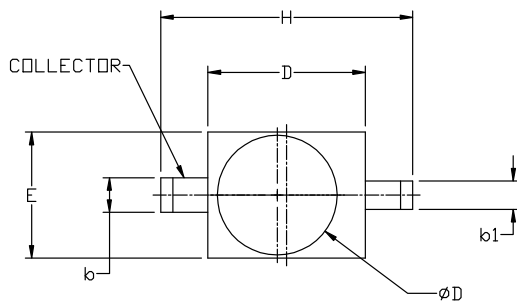




-
CASE 100EH
ISSUE O

DATE 14 SEP 2023



RECOMMENDED MOUNTING FOOTPRINT*
*FOR ADDITIONAL INFORMATION ON OUR Pb-FREE
STP