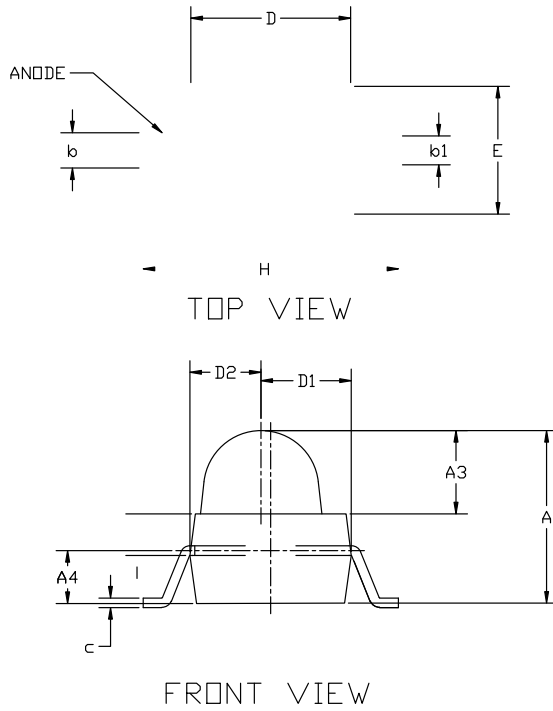




T-3/4 2.50x2.00

JLLWING LED RP



DIM	MILLIMETERS		
	MIN.	NDM.	MAX.
A	2.50	2.70	2.90
A2	1.30	1.40	1.50
A3	1.20	1.30	1.40
A4	0.75	0.85	0.95
b	0.45	0.55	0.65
b1	0.35	0.45	0.55
c	0.10	0.15	0.20
D	2.30	2.50	2.70
D1	1.20	1.40	1.60
D2	0.90	1.10	1.30
E	1.80	2.00	2.20
H	3.80	4.00	4.20
L	0.20	0.30	0.40
$\varnothing D$	1.70	1.90	2.10
R1	0.70	0.80	0.90

LAND PATTERN
P

* For additional information on our
Pb-Free strategy and soldering details,
please download the ON Semiconductor
Solderability