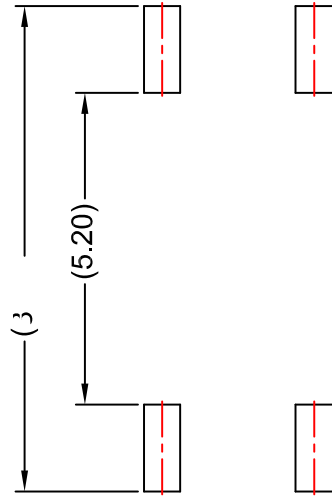


MFP5 4.1X4.4, 2.54P



LASH, AND TIE BAR EXTRUSION