

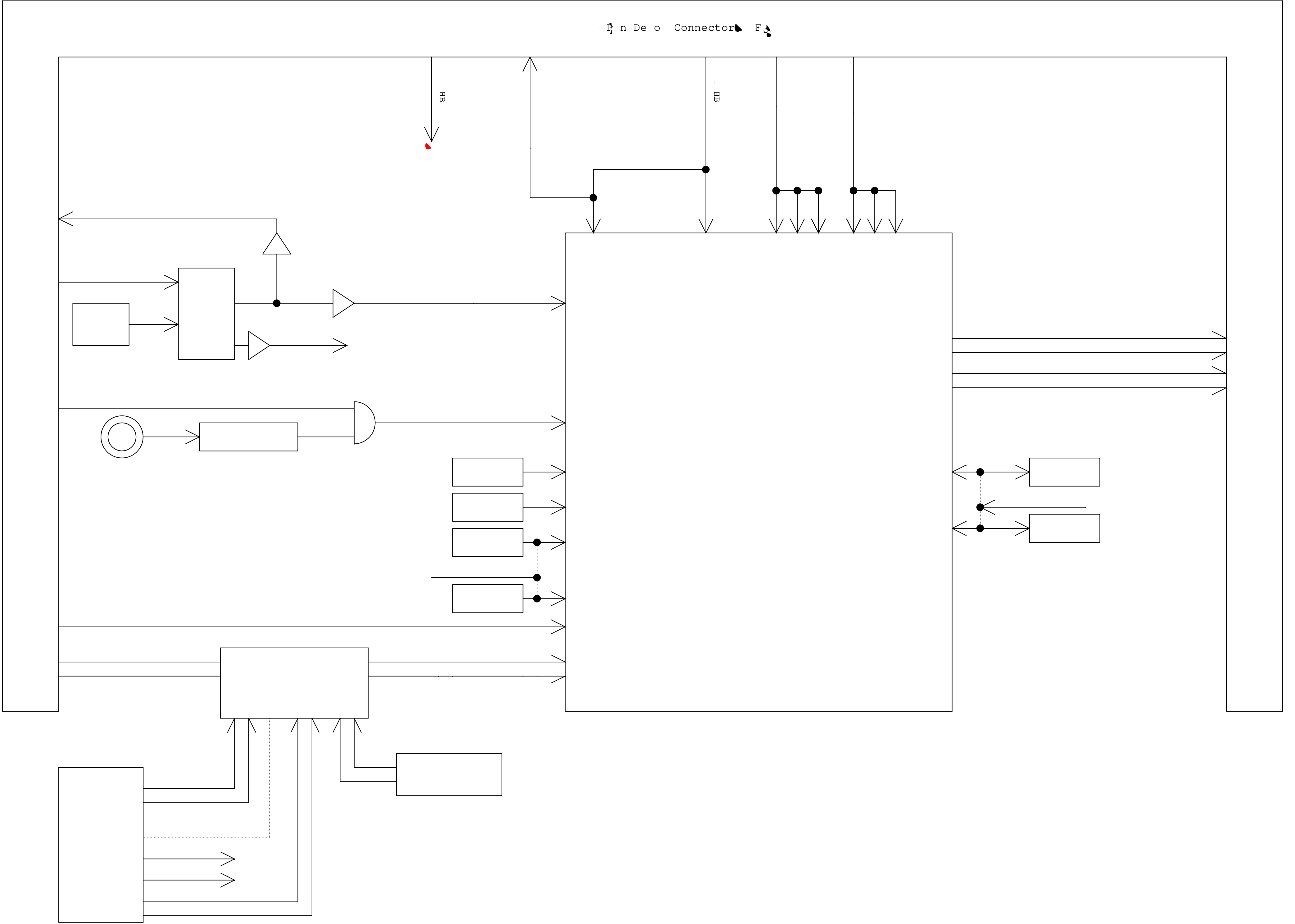


Page	Description
1	Title Page
2	Block Diagram
3	Sensor
4	Power
5	Clock and Reset
6	External Interfaces

Rev	Author	Date	Description
Rev 0.0	Bharati	05DEC2020	- Initial - Based on Template
		08DEC2020	- Deleted VAA-PLL supply and connected VAA supply rail on VAA2V8 and VAA2V8-VAA2V8_PLL pins
	skumar	09DEC2020	- Deleted VDDIO-ANA supply and connected VDD-IO supply rail on VDDIO1V8 and VDDIO1V8-VDDIO1V8_ANA pins
			- Removed C86 & C39 and moved C87 & C88 to VAA net from VAA-PIX
	Bharati	18DEC2020	- Replaced I2C switch (SW2) with TS3A24157DGSR part
	Bharati	24FEB2021	- Socket symbol updated
			- Updated P13 default jumper setting



- P n De o Connector F



5

4

3

2

1



D

D

C

C

Note for layout - Place these testpads near the Deo I F connector at the top side of PCB

B

B

GPIO

Ju per - Nor a' Open Master Mode

GPIO

A

A

pt executed

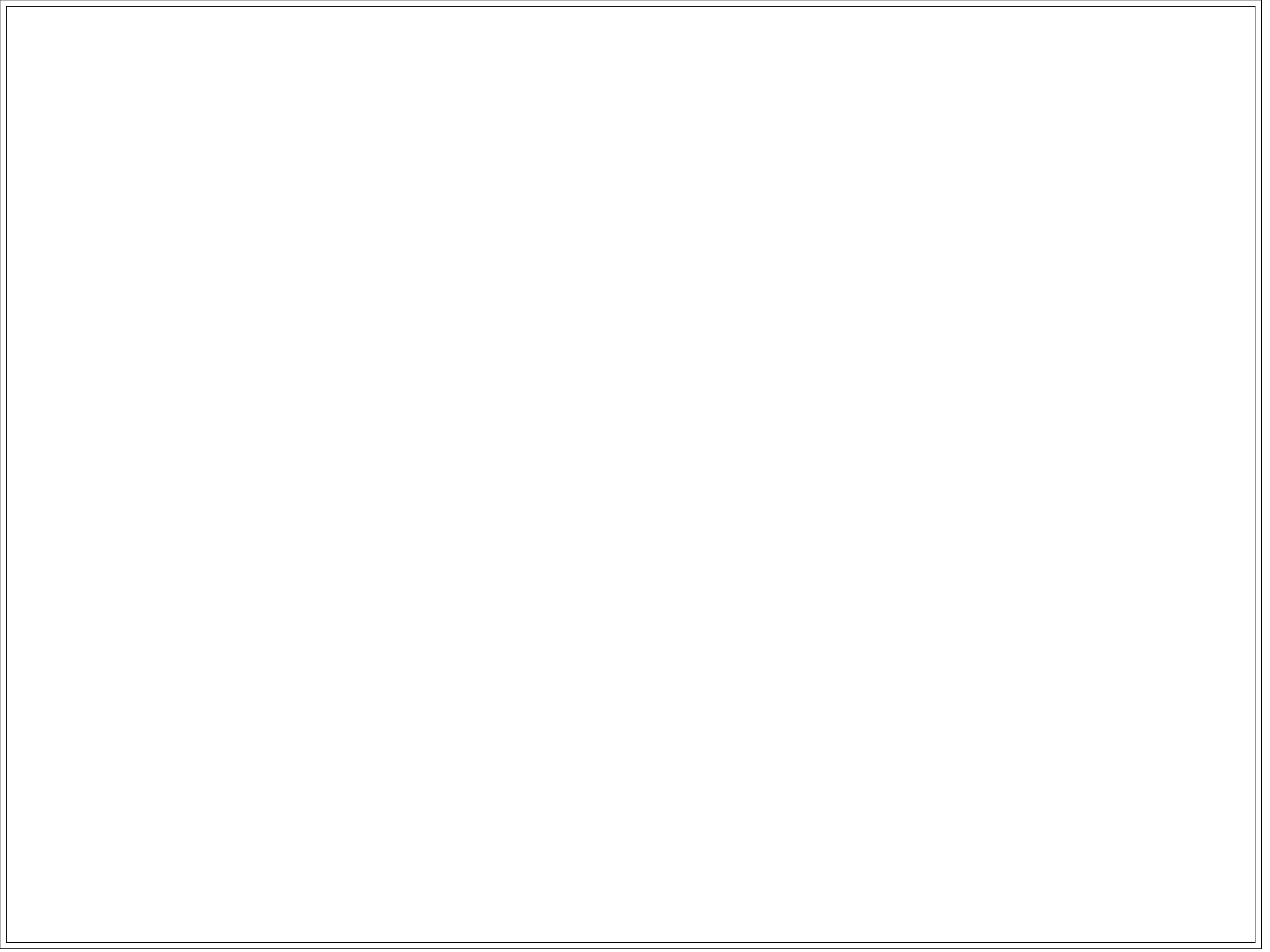
5

4

3

2

1





CLOCK CIRCUIT

P G'oc select on Header
Ju per - default select on board
oscillator as sensor s' nput q'oc
0
Ju per - select De o q'oc as
sensor s' nput q'oc
0
Ju per - select slave q'oc as
sensor s' nput q'oc for slave sensor } n
u' - ca ara ode
AND
Ju per - Enable Master q'oc
output to support slave sensor } n
u' - ca era ode

RESET CIRCUIT

