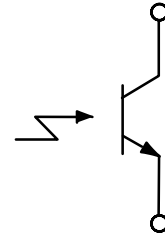


363

The QSB363 is a silicon phototransistor encapsulated in a black infrared transparent T-3/4 package.

- NPN Silicon Phototransistor
- T



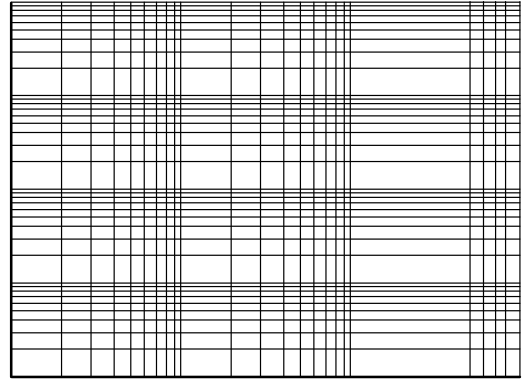
			○
-			○
-			○
	-		
	-		

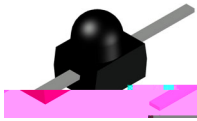
	-	
	-	
	-	
	-	

o

			-		-	
⊖			-	±		o
			-	-		
	-			-	-	
	-			-	-	
	-					





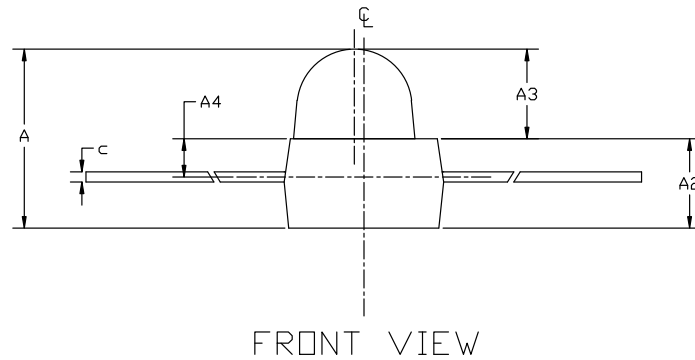
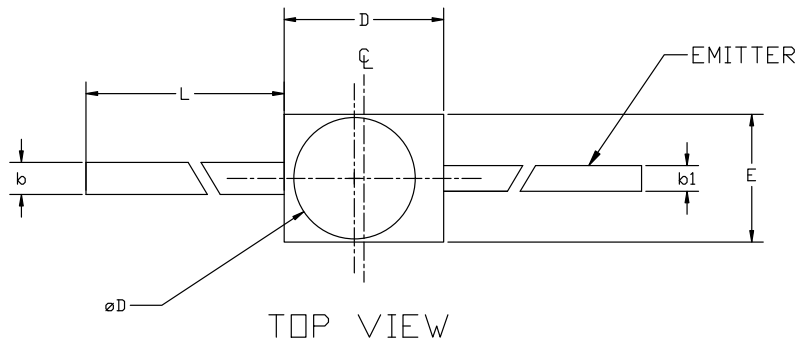


CASE 100CB
ISSUE A

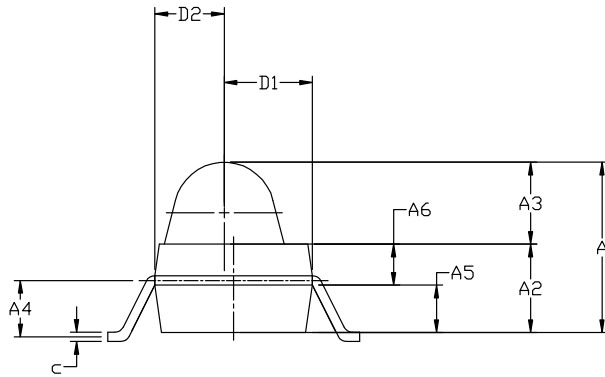
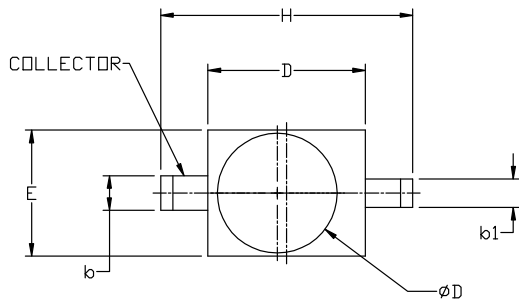
DATE 14 SEP 2023

NOTES:

1. CONTROLLING DIMENSIONS: MILLIMETERS
2. DIMENSIONS DO NOT INCLUDE MOLD FLASH OR BURRS.
3. 2MM DETECTOR



DIM	MILLIMETERS		
	MIN.	NOM.	MAX.
A	1.30	1.40	1.50
A3	1.30	1.40	1.50
A4	0.60 REF		
b	-	0.55	0.65
b1	0.35	0.45	0.55
c	0.10	0.15	0.25
	2.30		2.70
E	1.80	2.00	2.20
	7.00	---	---
ϕD	1.70	1.90	2.10



RECOMMENDED MOUNTING FOOTPRINT*
*FOR ADDITIONAL INFORMATION ON OUR Pb-FREE
STP

T

2. DIMENSIONS DO NOT INCLUDE MOLD FLASH OR BURRS.
3. 2MM YOKE DETECTOR.



	1.650	0.750	0.850
A5	0.550	0.650	0.750
b	0.450	0.550	0.650
b1	0.350	0.450	0.550
c	0.100	0.150	0.200
D	2.300	2.500	2.700
D1	1.200	1.400	1.600
D2	0.900	1.100	1.300
E			

1. ALL DIMENSIONS: MILLIMETER

=

BOTTOM VIEW

RECOMMENDED MOUNTING FOOTPRINT*
*FOR ADDITIONAL INFORMATION ON OUR Pb-FREE
STRATEGY AND SOLDERING DETAILS



T-3/4 2.50x2.00
CASE 100EK
ISSUE O

DATE 14 SEP 2023

RECOMMENDED MOUNTING FOOTPRINT*
*FOR A

onsemi, **onsemi**, and other names, marks, and brands are registered and/or common law trademarks of Semiconductor Components Industries, LLC dba "**onsemi**" or its affiliates and/or subsidiaries in the United States and/or other countries. **onsemi** owns the rights to a number of patents, trademarks, copyrights, trade secrets, and other intellectual property. A listing of **onsemi**'s product/patent coverage may be accessed at www.onsemi.com/site/pdf/Patent-Marking.pdf. **onsemi** reserves the right to make changes at any time to any products or information herein, without notice. The information herein is provided "as-is" and **onsemi** makes no warranty, representation or guarantee regarding the accuracy of the information, product features, availability, functionality, or suitability of its products for any particular purpose, nor does **onsemi** assume any liability arising out of the application or use of any product or circuit, and specifically disclaims any and all liability, including without limitation special, consequential or incidental damages. Buyer is responsible for its products and applications using **onsemi**
