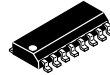




<http://onsemi.com>



SOIC-16
W SUFFIX
CASE 751BG



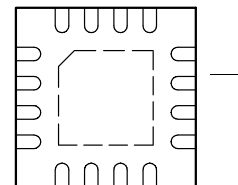
TQFN-16
HV4 SUFFIX
CASE 510AE



- These Devices are Pb-Free, Halogen Free/BFR Free and are RoHS Compliant

Applications

- White Goods (dishwashers, washing machines)
- Handheld Devices (cell phones, PDAs, digital cameras)
- Data Communications (routers, hubs and servers)



ORDERING INFORMATION

CAT9554, CAT9554A

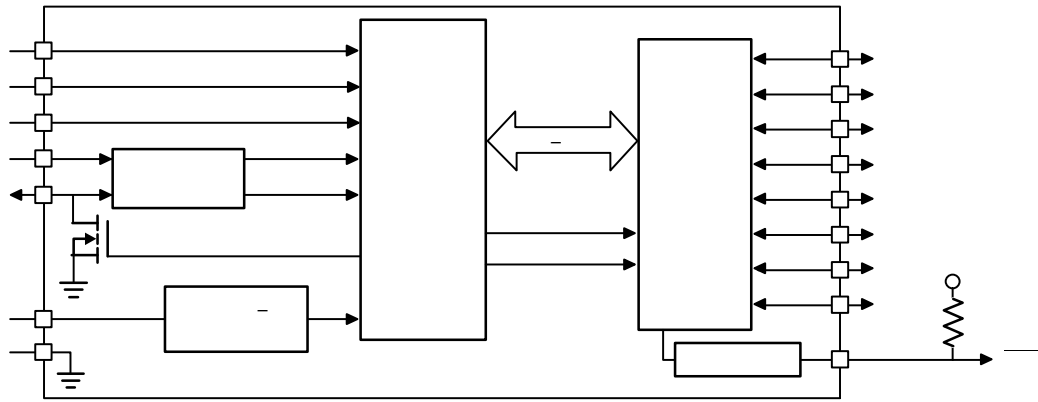


Figure 1. Block Diagram

CAT9554, CAT9554A

CAT9554, CAT9554A

Table 5. A.C. CHARACTERISTICS

Symbol	Parameter	Standard I ² C		Fast I ² C		Units
		Min	Max	Min	Max	
						μ
						μ
						μ
						μ
						μ

CAT9554, CAT9554A

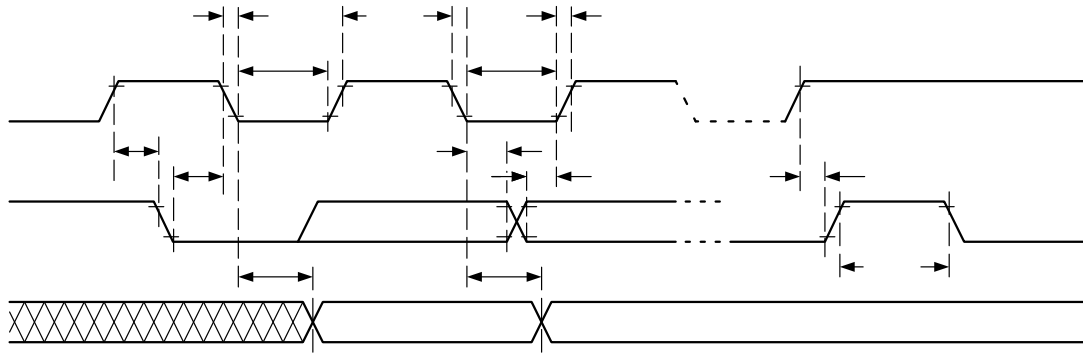


Figure 2. I²C Serial Interface Timing

CAT9554, CAT9554A

INT: Interrupt Output

The open-drain interrupt output is activated when one of the port pins configured as an input changes state (differs from the corresponding input port register bit state). The interrupt is deactivated when the input returns to its previous

state or the input port register is read. Changing an I/O from an output to an input may cause a false interrupt if the state of the pin does not match the contents of the input port register.



Acknowledge

CAT9554, CAT9554A

The output port register sets the outgoing logic levels of the I/O ports, defined as outputs by the configuration register. Bit values in this register have no effect on I/O pins defined as inputs. Reads from the output port register reflect the value that is in the flip-flop controlling the output, not the actual I/O pin value.

CAT9554, CAT9554A

Power-On Reset Operation

When the power supply is applied to V_{CC} pin, an internal power-on reset pulse holds the CAT9554/9554A in a reset state until V_{CC} reaches V_{POR} level. At this point, the reset

condition is released and the internal state machine and the CAT9554/9554A registers are initialized to their default state.

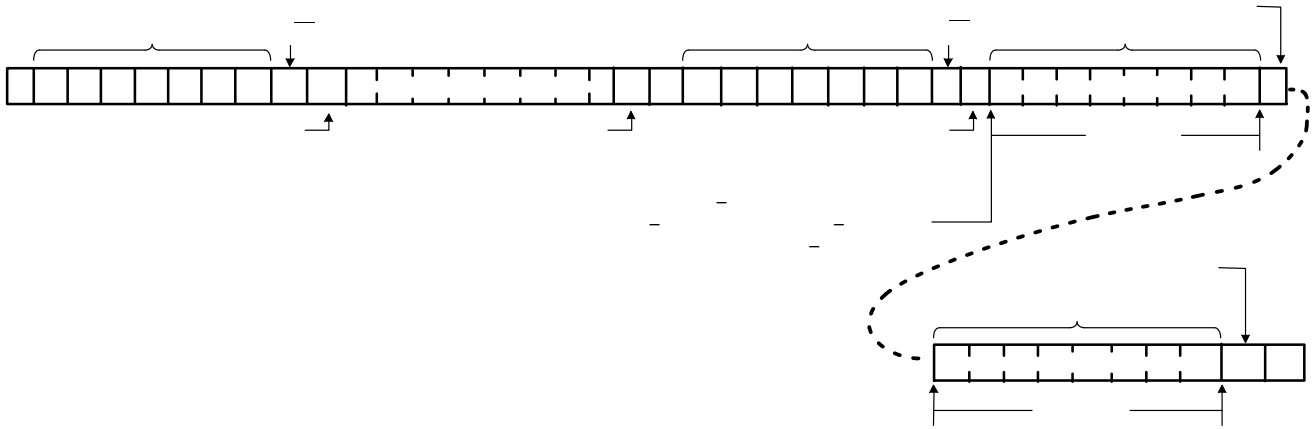


Figure 12. Read from Register

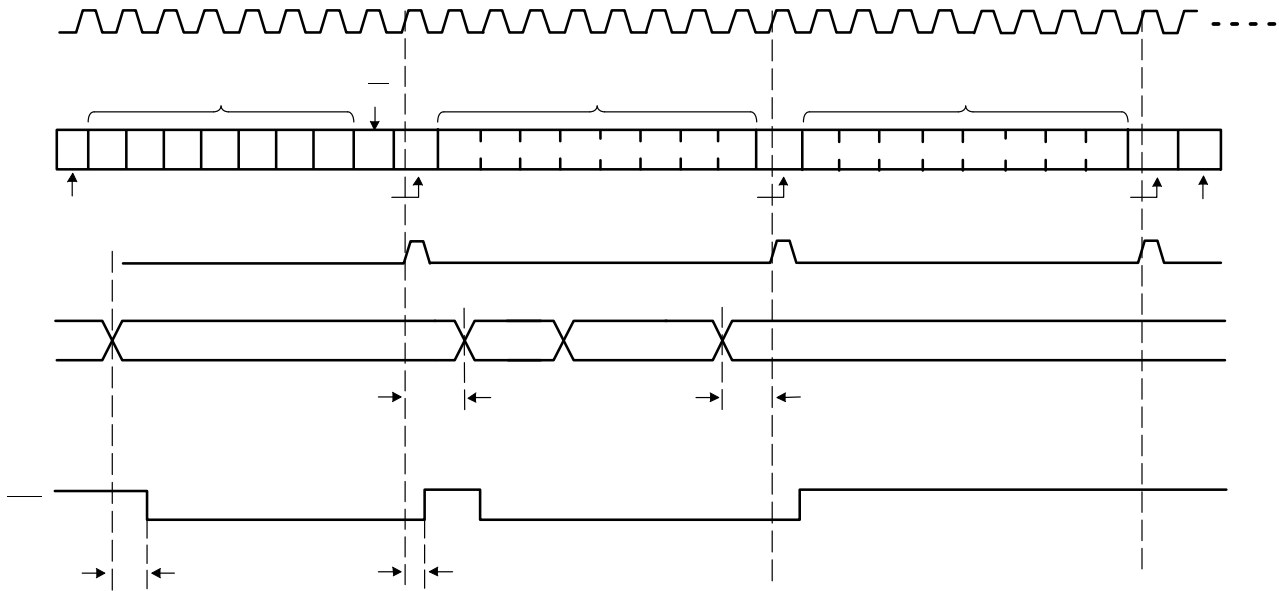
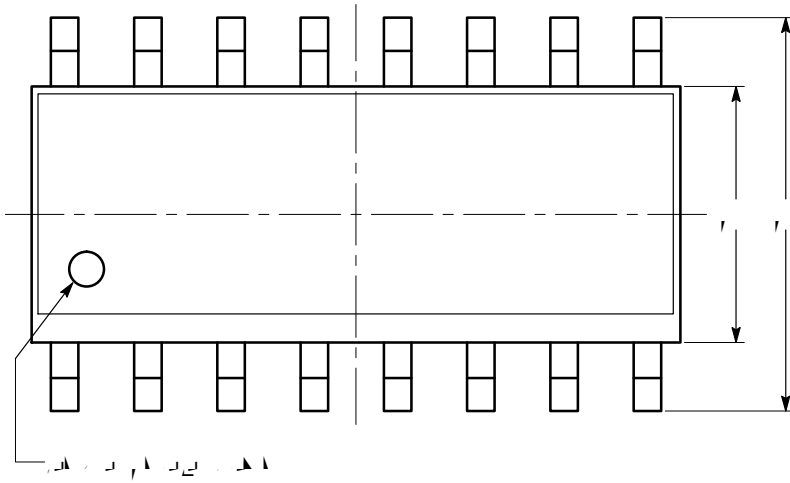


Figure 13. Read Input Port Register

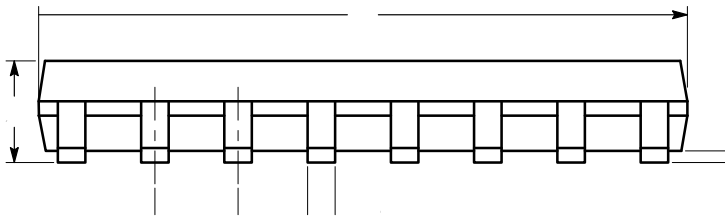
CAT9554, CAT9554A

PACKAGE DIMENSIONS

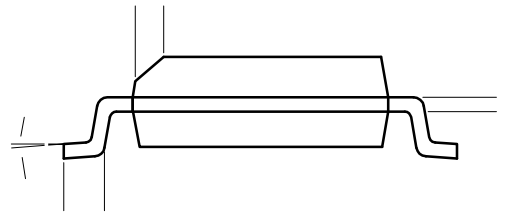
SOIC-16, 150 mils



TOP VIEW

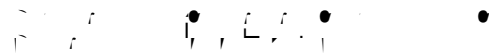


SIDE VIEW



END VIEW

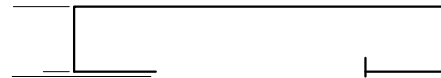
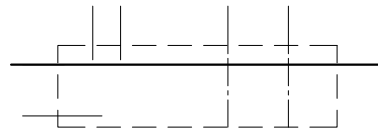
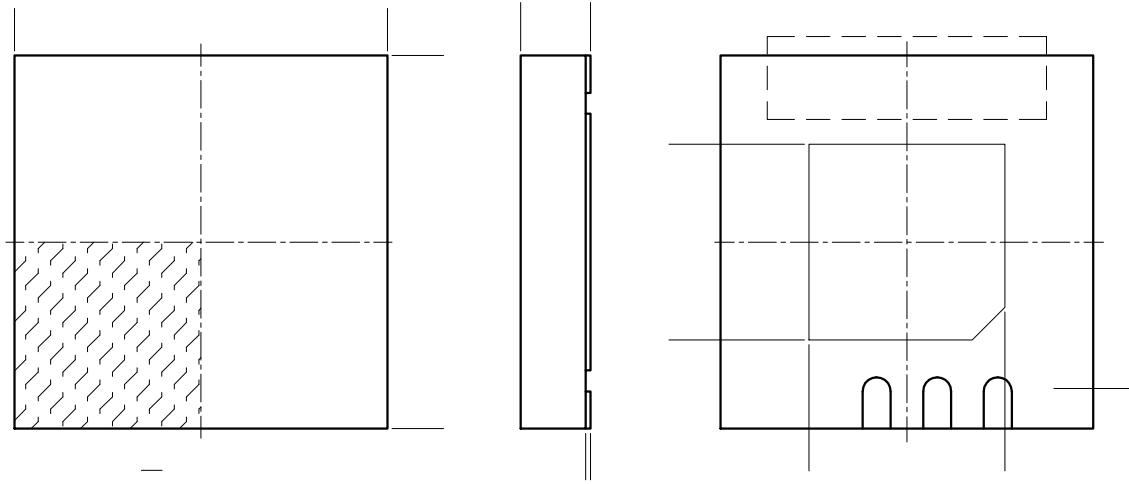
Notes:



CAT9554, CAT9554A

PACKAGE DIMENSIONS

TQFN16, 4x4



CAT9554, CAT9554A

PACKAGE DIMENSIONS

TSSOP16, 4.4x5

