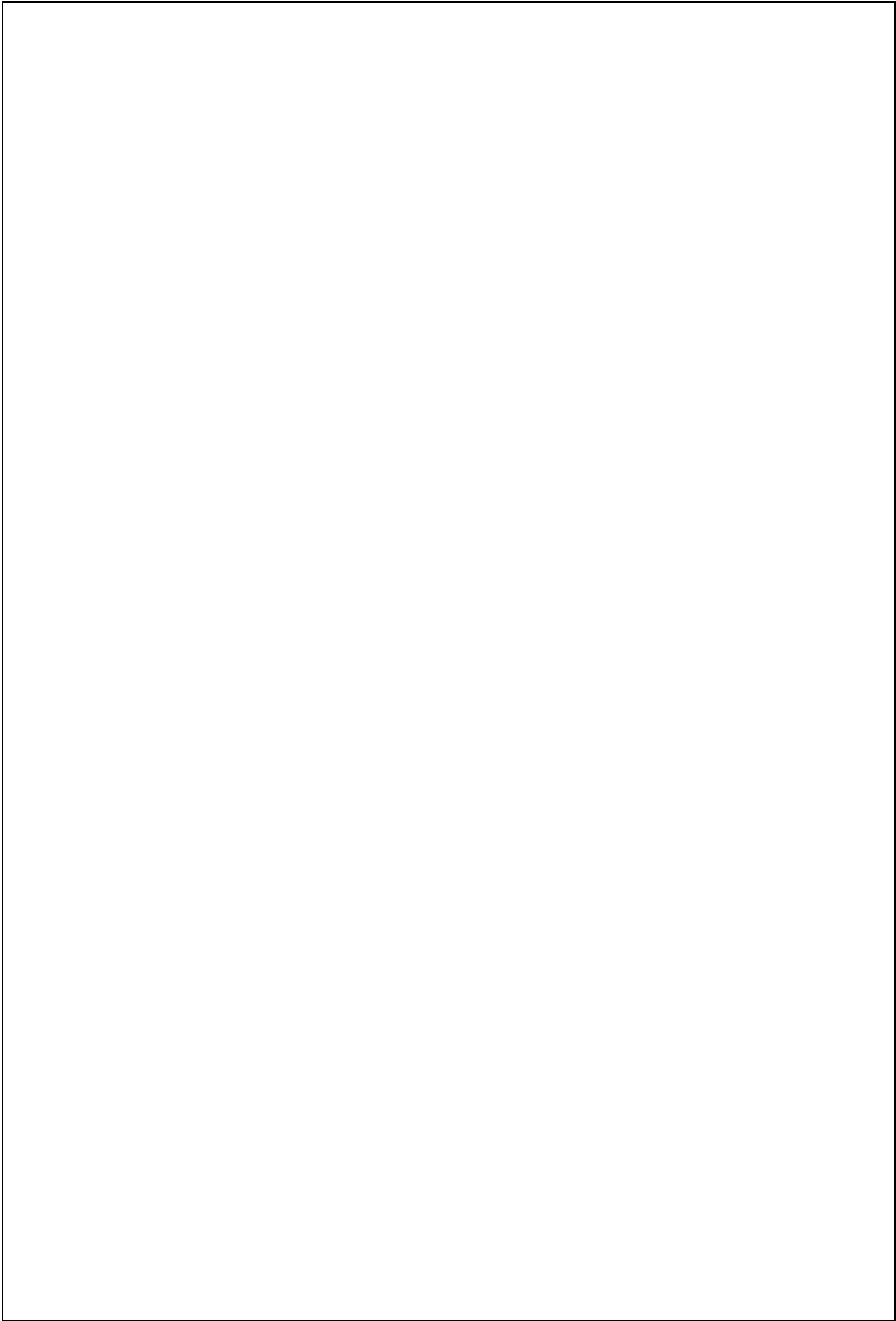


74LCXR162245**Low Voltage 16-Bit Bidirectional Transceiver
with 5V Tolerant Inputs/Outputs
and 26 Ω Series Resistors in the Outputs****General Description**

The LCXR162245 contains sixteen non-inverting bidirectional buffers with 3-STATE outputs and is intended for bus oriented applications. The device is designed for low voltage (2.5V or 3.3V) V_{CC} applications with capability of inter-



Absolute Maximum Ratings(Note 3)

Symbol	Parameter	Value	Conditions	Units
V_{CC}	Supply Voltage	-0.5 to +7.0		V
V_I	DC Input Voltage	-0.5 to +7.0		V
V_O	DC Output Voltage	-0.5 to +7.0	Output in 3-STATE	V
		-0.5 to $V_{CC} + 0.5$	Output in HIGH or LOW State (Note 4)	V
I_{IK}	DC Input Diode Current	-50	$V_I < GND$	mA
I_{OK}	DC Output Diode Current	-50	$V_O < GND$	mA
		+50	$V_O > V_{CC}$	mA
I_O	DC Output Source/Sink Current	± 50		mA
I_{CC}	DC Supply Current per Supply Pin	± 100		mA
I_{GND}	DC Ground Current per Ground Pin	± 100		mA
T_{STG}	Storage Temperature	-65 to +150		$^{\circ}C$

Recommended Operating Conditions (Note 5)

Symbol	Parameter	Min	Max	Units	
V_{CC}	Supply Voltage	Operating	2.0	3.6	V
		Data Retention	1.5	3.6	
V_I	Input Voltage	0	5.5	V	
V_O	Output Voltage	HIGH or LOW State	0	V_{CC}	V
		3-STATE	0	5.5	
I_{OH}/I_{OL}	Output Current	$V_{CC} = 3.0V - 3.6V$		± 12	mA
		$V_{CC} = 2.7V - 3.0V$		± 8	
		$V_{CC} = 2.3V - 2.7V$		± 4	
T_A	Free-Air Operating Temperature	-40	85	$^{\circ}C$	
$\Delta t/\Delta V$	Input Edge Rate, $V_{IN} = 0.8V - 2.0V$, $V_{CC} = 3.0V$	0	10	ns/V	

Note 3: The Absolute Maximum Ratings are those values beyond which the safety of the device cannot be guaranteed. The device should not be operated at these limits. The parametric values defined in the Electrical Characteristics tables are not guaranteed at the Absolute Maximum Ratings. The "Recommended Operating Conditions" table will define the conditions for actual device operation.

Note 4: I_O Absolute Maximum Rating must be observed.

Note 5: Unused pins (Inputs or I/O's) must be held HIGH or LOW. They may not Float.

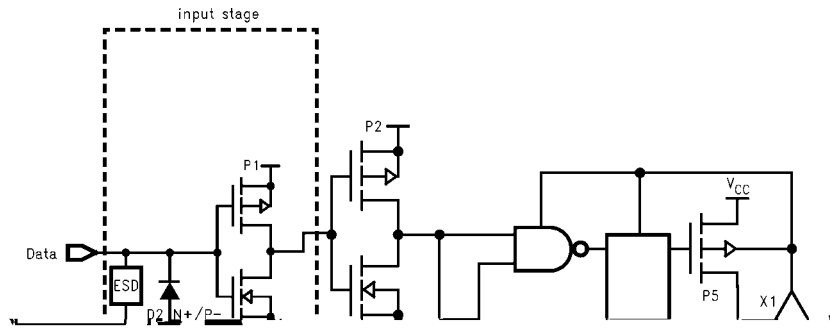
DC Electrical Characteristics

Symbol	Parameter	Conditions	V_{CC}		$T_A = -40^{\circ}C$ to $+85^{\circ}C$		Units
			(V)	Min	Max		
V_{IH}	HIGH Level Input Voltage		2.3 - 2.7	1.7			V
			2.7 - 61 $\frac{V_{CC} - V_{IL}}{V_{CC} - V_{IL} - 0.93V}$	1.3	1.3	0.93	

DC Electrical Characteristics (Continued)

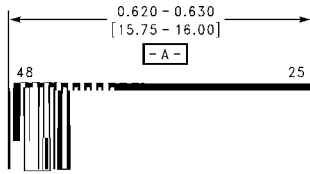
Note 6:

Schematic Diagram Generic for LCX Family



DISCONTINUED
onsemi

Physical Dimensions inches (millimeters) unless otherwise noted



48-Lead Small Shrink Outline Package (SSOP), JEDEC MO-118, 0.300" Wide
Package Number MS48A

DISCONTINUED
onsemi

